

# Spare parts list



E106, E206, H506, D206, D506



## Contents

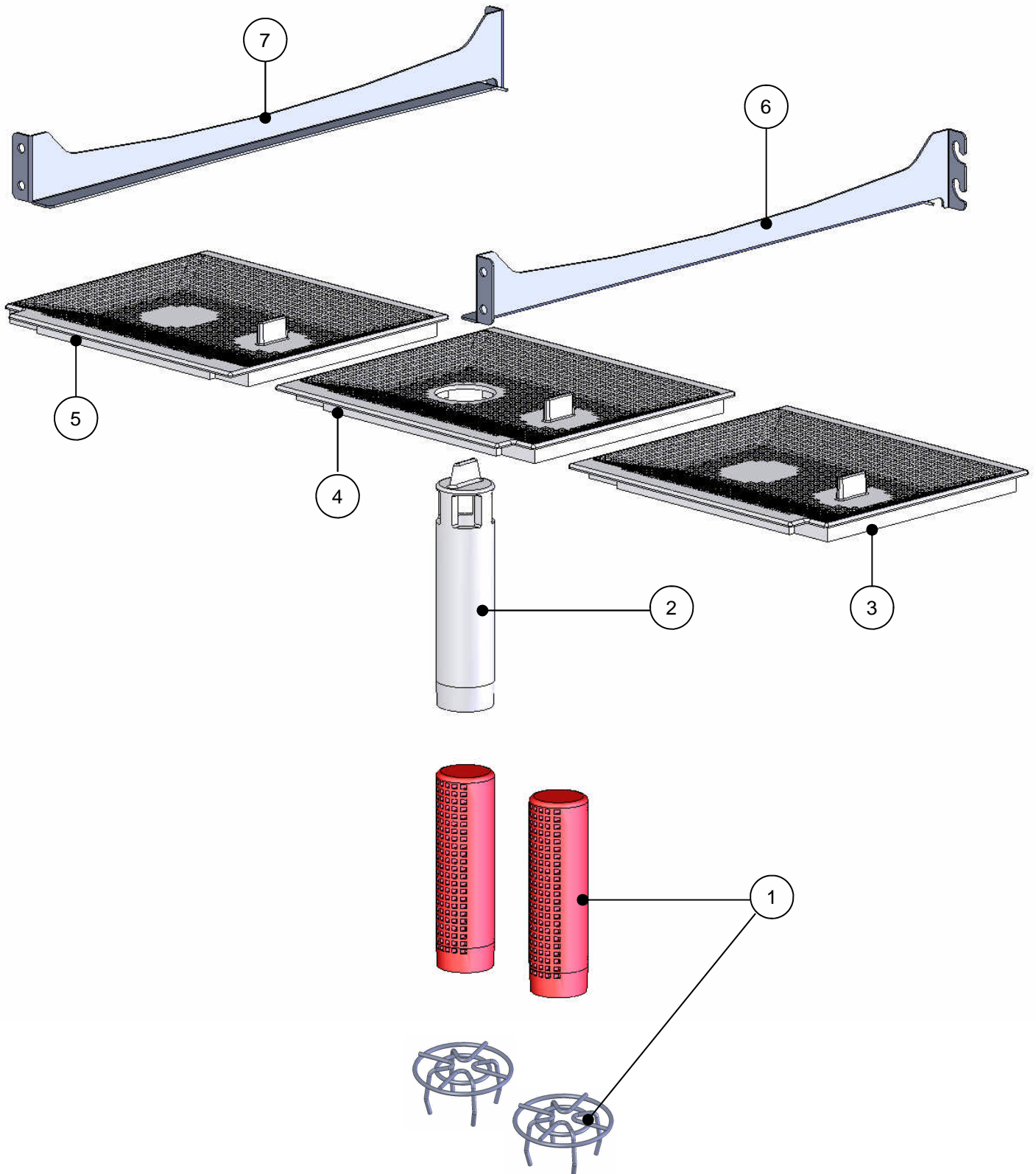
### Machine assembly

→ Filter & Basket supports	2 - 3
→ Wash tank	4 - 7
→ Air break tank assembly	8 - 9
→ Rinse & Wash system	10 - 15
→ Centre boss	16 - 17
→ Rinse arm assembly	18 - 19
→ Base assembly (Eco & Hydro)	20 - 21
→ Base assembly (Duo)	22 - 23
→ Rinse boiler	24 - 25
→ Wash pump assembly - 0.22kW	26 - 27
→ Rinse pump assembly - 0.12kW	28 - 29
→ Drain pump kit	30 - 31
→ Gravity drain kit	32 - 33
→ Component tray	34 - 35
→ Panel kit	36 - 37
→ Packing kit	38

Part number 904.0001  
Revision G



## Filters & Basket supports



## Filters & Basket supports

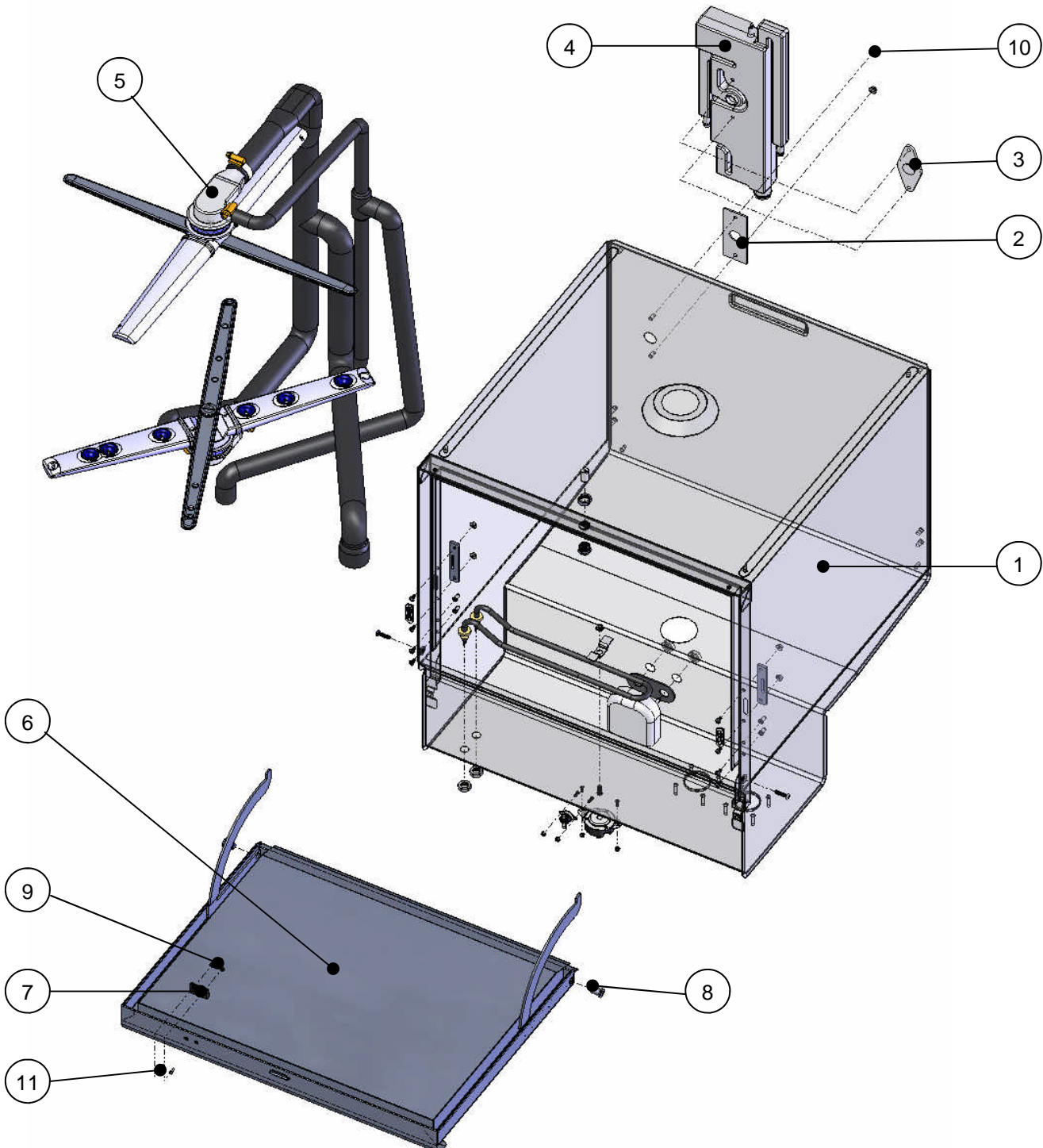
Item	Description	Part no.	Qty	Note
1	Secondary filter (plastic)	231.0001	2	Only 1 required on gravity drain machines
	Secondary filter (metal)	180.0001		
2	Drain plug	232.0001	1	Only on gravity drain machines
3	Wash filter RH - 400mm Pumped	230.0002	1	Only on drain pump machines
4	Wash filter RH - 400mm Gravity	230.0001	1	Only on gravity drain machines
5	Wash filter LH - 400mm	230.0003	1	
6	Basket ramp - 400mm RH	115.0001	1	Not required on Eco1
7	Basket ramp - 400mm LH	115.0002	1	Not required on Eco 1

### **Note !**

On 'Eco 1' machines items **6** and **7** are permanently attached to the wash cabinet and cannot be removed.

## Wash tank assembly

Machine type	Assembly description	Assembly part no.
Eco 1	Wash tank assembly	011.0001
Eco2 & Duo2	Wash tank assembly	011.0002
Hydro500 & Duo500	Wash tank assembly	011.0003



## Wash tank assembly

Item	Description	Part no.	Qty	Note
1	Wash cabinet	110.0003	1	Only on Eco 1
	Wash cabinet	110.0001		All models except Eco 1
2	Seal - Air break	301.0002	1	
3	20mm Blanking cover	255.0001	1	Only on Eco 1, Eco 2 & Hydro 500
4	Air break (WRAS approved)	020.0001	1	Only on Duo 2 & Duo 500
	Air break (without overflow)	020.0002	1	Only on none UK Duo 2 & Duo 500
5	Rinse & Wash system - 400mm Glass	021.0001	1	Only on Eco 1, Eco 2 and Duo 2
	Rinse & Wash system - 400mm Dish	021.0002		Only on Hydro 500 & Duo 500
6	Door	111.0001	1	
7	Magnet - Door switch	571.0001	1	
8	Door pivot pin	100.0002	2	
9	M3 nut - Flange	FNUT-03	2	
10	M5 nut - Flange	FNUT-05	2	
11	M3 x 8mm long Pan head Pozi screw	SC101	2	

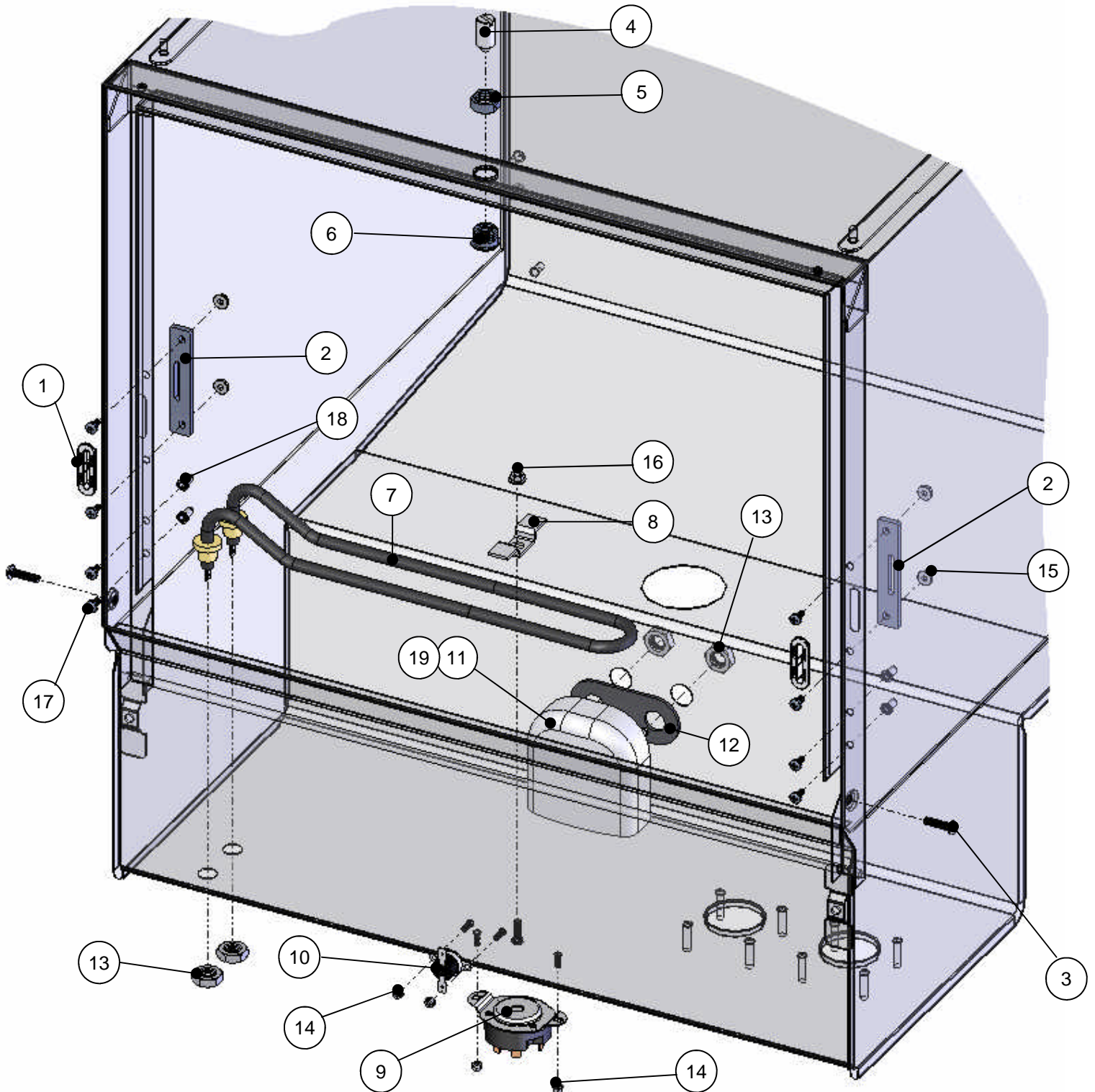
### **Note !**

Picture only depicts item 5 as per 021.0002 (dishwasher), the glasswasher version only having bottom wash arms.



## Wash tank assembly

Machine type	Assembly description	Assembly part no.
Eco 1	Wash tank assembly	011.0001
Eco 2 & Duo 2	Wash tank assembly	011.0002
Hydro 500 & Duo 500	Wash tank assembly	011.0003

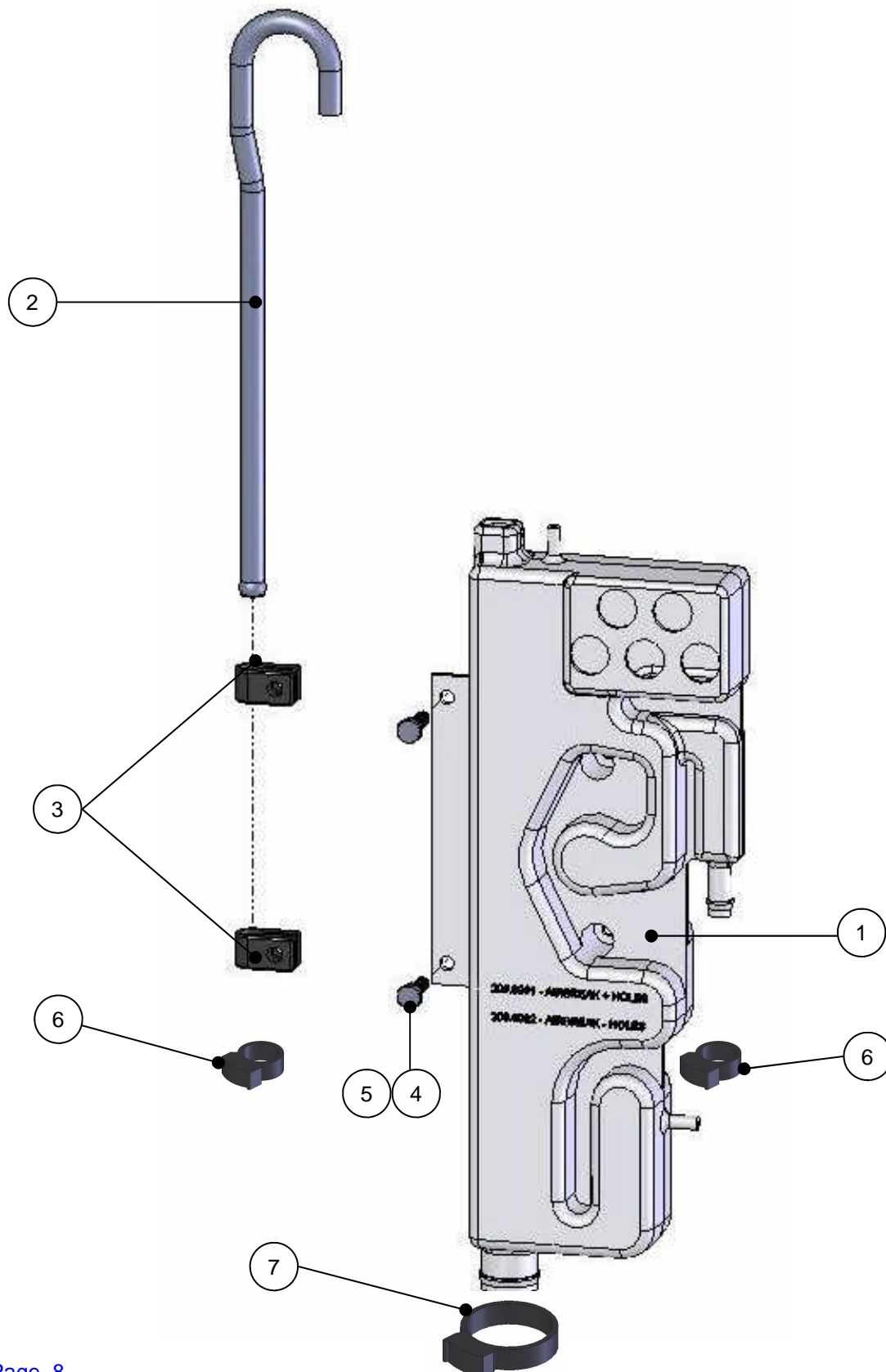


## Wash tank assembly

Item	Description	Part no.	Qty	Note
1	Door inlay	256.0001	2	
2	Plate - Door stop	102.0002	2	
3	M6 x 12mm long—Button head screw	SC100	2	
4	Ball catch (M10)	320.0001	1	
5	Ball catch housing	100.0008	1	
6	Ball catch housing nut	100.0007	1	
7	Wash element - 1 x 2,000 watt	555.0001	1	
7	Wash element - 1 x 1,300 watt	555.0001	1	Only to be fitted on 15 amp units
7	Wash element - 1 x 2,880 watt (UL)	555.0001	1	Only to be fitted on 45 amp units (USA)
8	Bracket - Wash element clamp	7.6.6/22-2	1	
9	85°C - Thermal switch - 3 pole manual	540.0003	1	
10	55°C - Thermal switch - 1 pole auto - N/C	541.0009	1	
11	Air pressure vessel	260.0001	1	
12	Seal - Air pressure vessel	301.0001	1	
13	M12 Thin nut	TNUT-12	4	
14	M3 nut - Flange	FNUT-03	4	
15	M4 nut - Flange	FNUT-04	4	
16	M5 nut - Flange	FNUT-05	1	
17	M4 x 8mm long Pan head screw	SC006	4	
18	Support - Basket ramp	100.0009	4	Not required on Eco 1
19	PVC hose - Ø3mm	RT2	0.98	Quantity in metres (not shown)

## Air break tank assembly

Machine type	Assembly description	Assembly part no.
Duo2 & Duo500	Air break (WRAS approved)	020.0001
None UK, Duo2 & Duo500	Air break (without overflow)	020.0002





## Air break tank assembly

Item	Description	Part no.	Qty	Note
1	Air break (WRAS approved)	200.0001	1	
	Air break (without overflow)	200.0002	1	
2	Air break feeder tube	190.0001	1	
3	Cable cleat	331.0001	2	
4	M6 x 15mm long Hex head screw	SC029	2	
5	M6 flange nut	FNUT-06	2	
6	Clip (small)	7.4.12/10	2	
7	Clip (large)	7.4.12/12	1	

## Rinse & Wash system

Machine type	Assembly description	Assembly part no.
Eco1, Eco2 & Duo2	Rinse and Wash system	021.0001

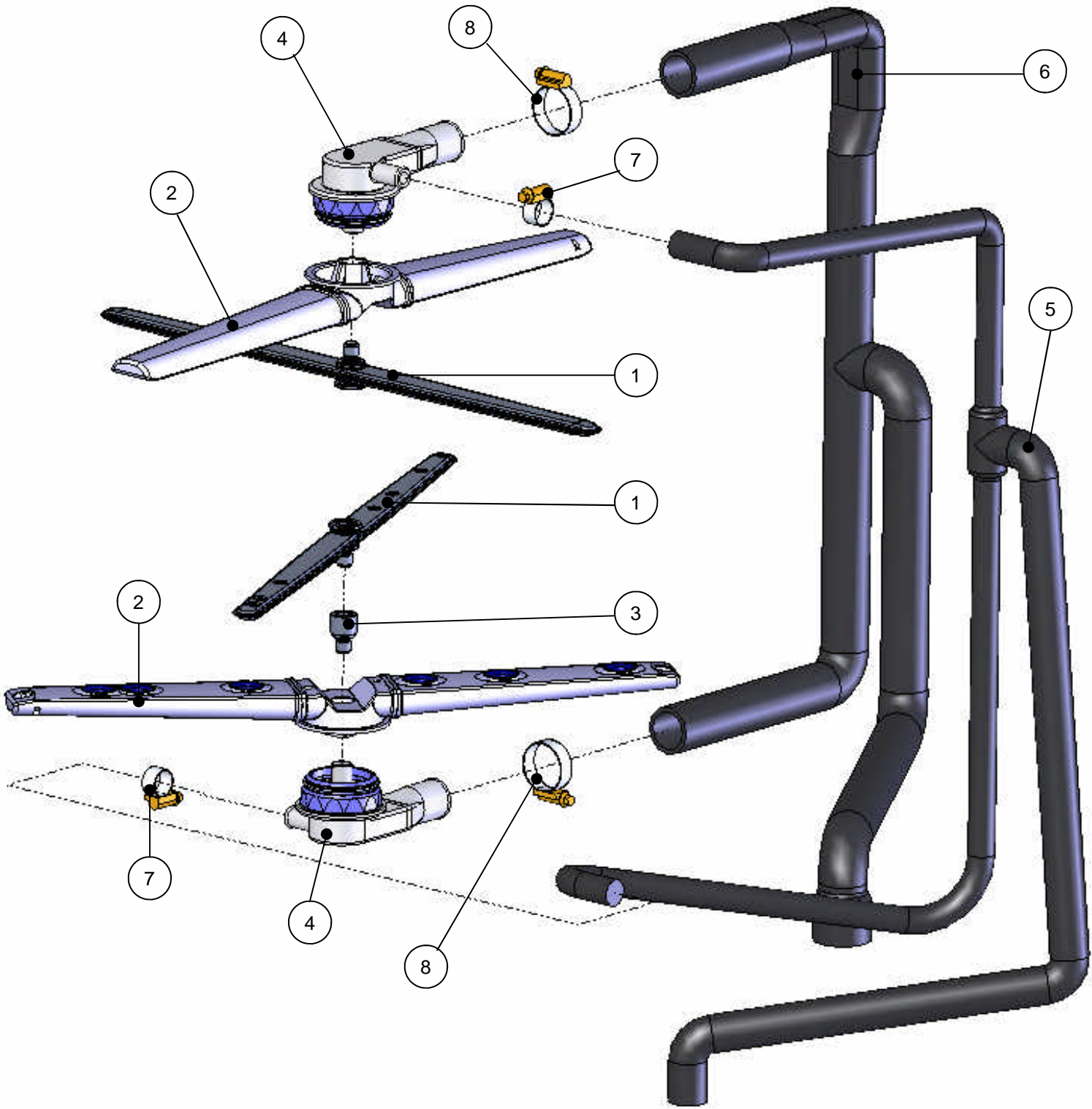


### Rinse & Wash system

Item	Description	Part no.	Qty	Note
1	Rinse arm assembly - 400mm	62003575	1	
2	Rinse arm assembly - 400mm	022.0001	1	
3	Wash arm - 400mm	62003640	1	
4	Rinse screw	60004123	1	
5	Centre boss assembly	021.0005	1	
6	Centre boss assembly - Top	021.0006	1	
7	Hose - Rinse system - 400mm	404.0001	1	
8	Hose - Wash pump outlet - 400mm glass	406.0002	1	
9	Jubilee clip - Ø12mm to Ø22mm	JCLIP-012-022	2	
10	Jubilee clip - Ø25mm to Ø40mm	JCLIP-025-040	1	

## Rinse & Wash system

Machine type	Assembly description	Assembly part no.
Hydro 500 & Duo 500	Rinse and Wash system	021.0002



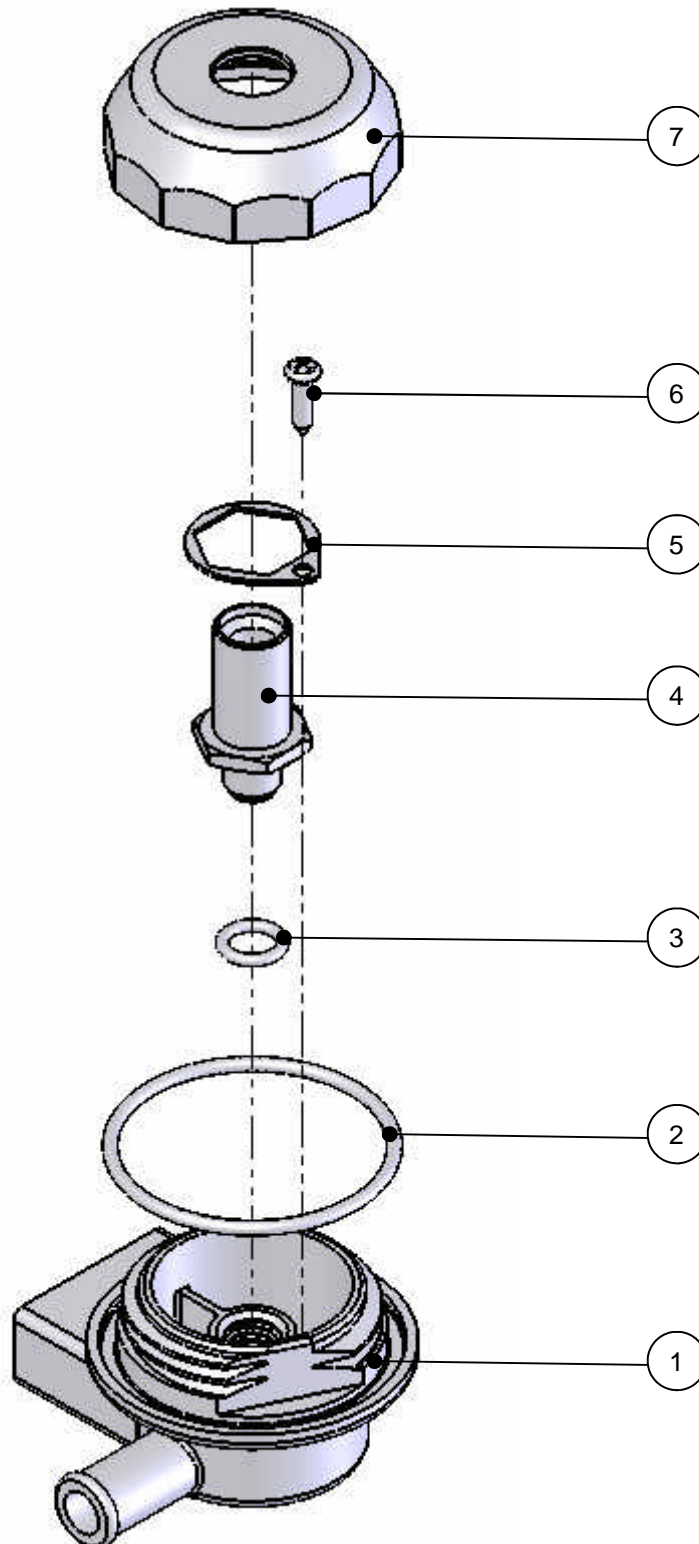
## Rinse & Wash system

Item	Description	Part no.	Qty	Note
1	Rinse arm assembly - 400mm	022.0001	2	
2	Wash arm - 400mm	62003640	2	
3	Rinse extension screw	100.0005	1	
4	Centre boss assembly	021.0005	2	
5	Hose - Rinse system - 400mm	404.0001	1	
6	Hose - Wash pump outlet - 400mm dish	406.0001	1	
7	Jubilee clip - Ø12mm to Ø22mm	JCLIP-012-022	2	
8	Jubilee clip - Ø25mm to Ø40mm	JCLIP-025-040	2	



## Centre boss assembly - Top - Glasswasher

Machine type	Assembly description	Assembly part no.
Eco1, Eco 2 & Duo 2	Centre boss - Top	021.0006

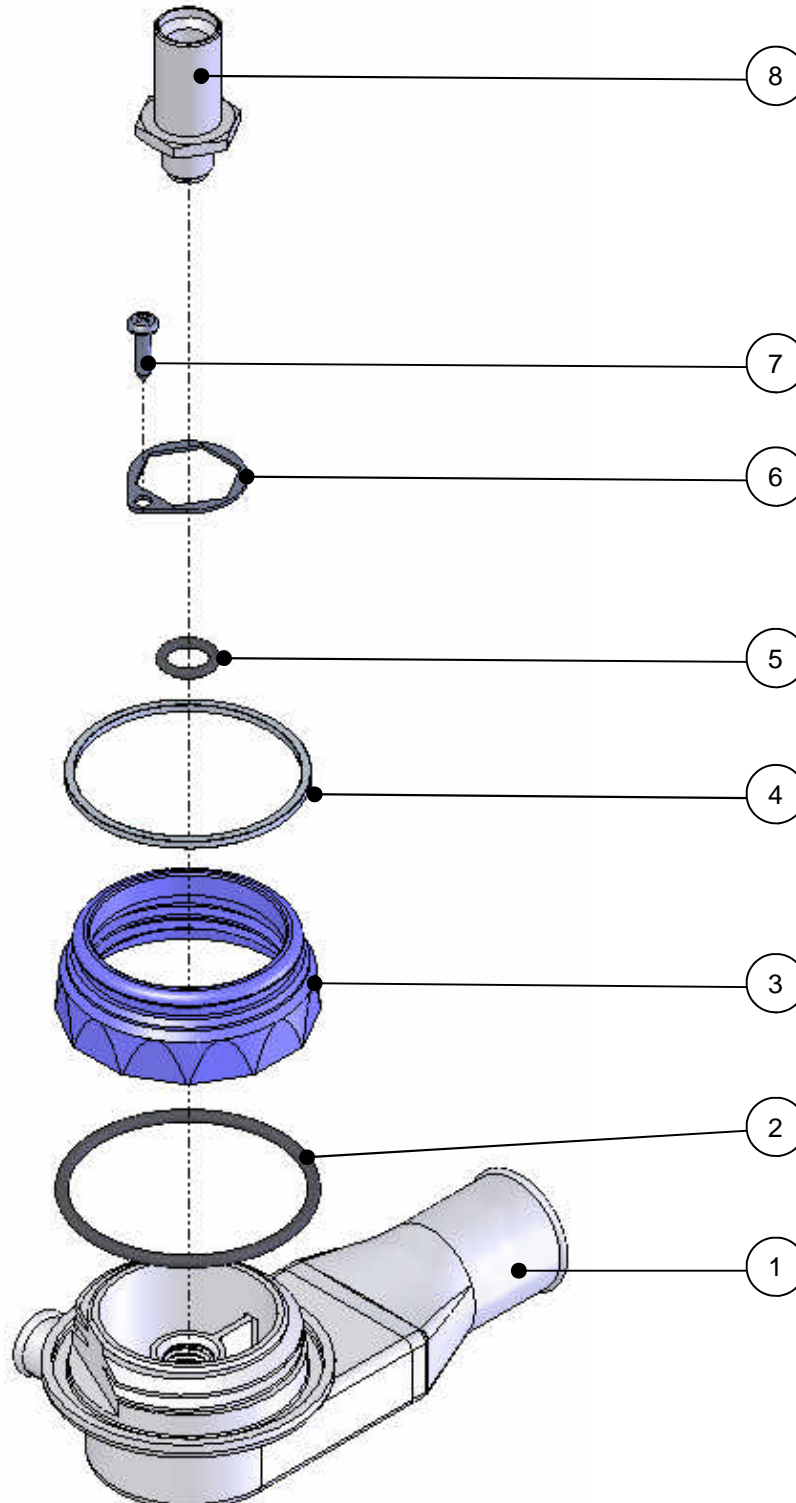


### Centre boss assembly - Top - Glasswasher

Item	Description	Part no.	Qty	Note
1	Centre boss (top)	62003019	1	
2	O ring - Ø3mm x Ø56mm	300.3056	1	
3	O ring - Ø2.5mm x Ø10mm	300.2510	1	
4	Rinse arm spindle	62003005	1	
5	Fixing plate	61006076	1	
6	M3 x 16mm Long - Self tapping screw	20 20 305	1	
7	Lock nut	62003024	1	

## Centre boss assembly

Machine type	Assembly description	Assembly part no.
Eco 1, Eco 2 & Duo 2	Centre boss - Bottom only	021.0005
Hydro 500 & Duo 500	Centre boss - Top and bottom	021.0005

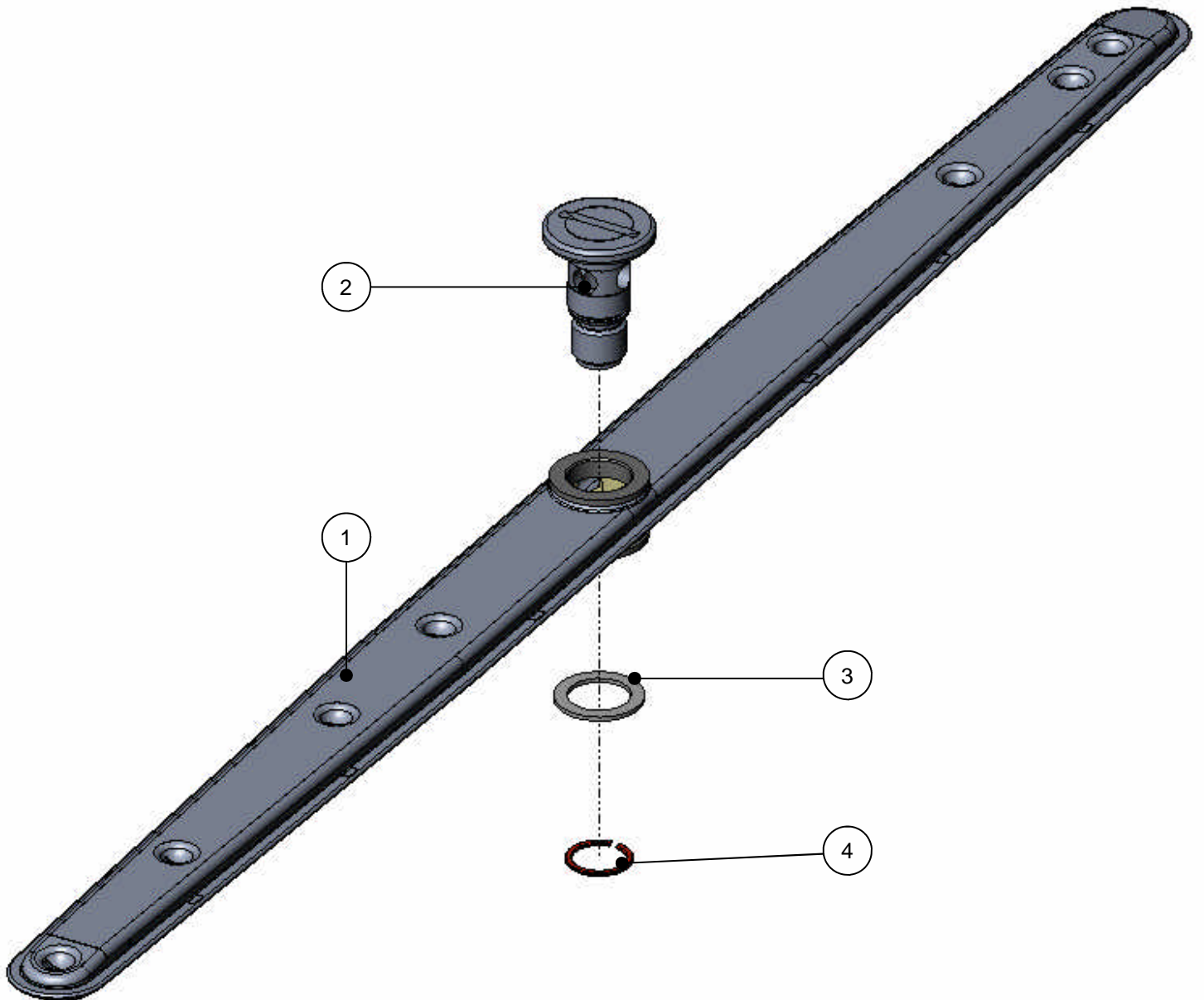


## Centre boss assembly

Item	Description	Part no.	Qty	Note
1	Centre boss (bottom)	60004157	1	
2	O ring - Ø3mm x Ø56mm	300.3056	1	
3	Lock nut	60003005	1	
4	Seal	60003021	1	Only for dishwashers
5	O ring - Ø2.5mm x Ø10mm	300.2510	1	
6	Fixing plate	61006076	1	
7	M3 x 16mm Long - Self tapping screw	20 20 305	1	
8	Rinse arm spindle	60002987	1	

## Rinse arm assembly - Bottom

Machine type	Assembly description	Assembly part no.
All models	Rinse arm assembly - Bottom	022.0001



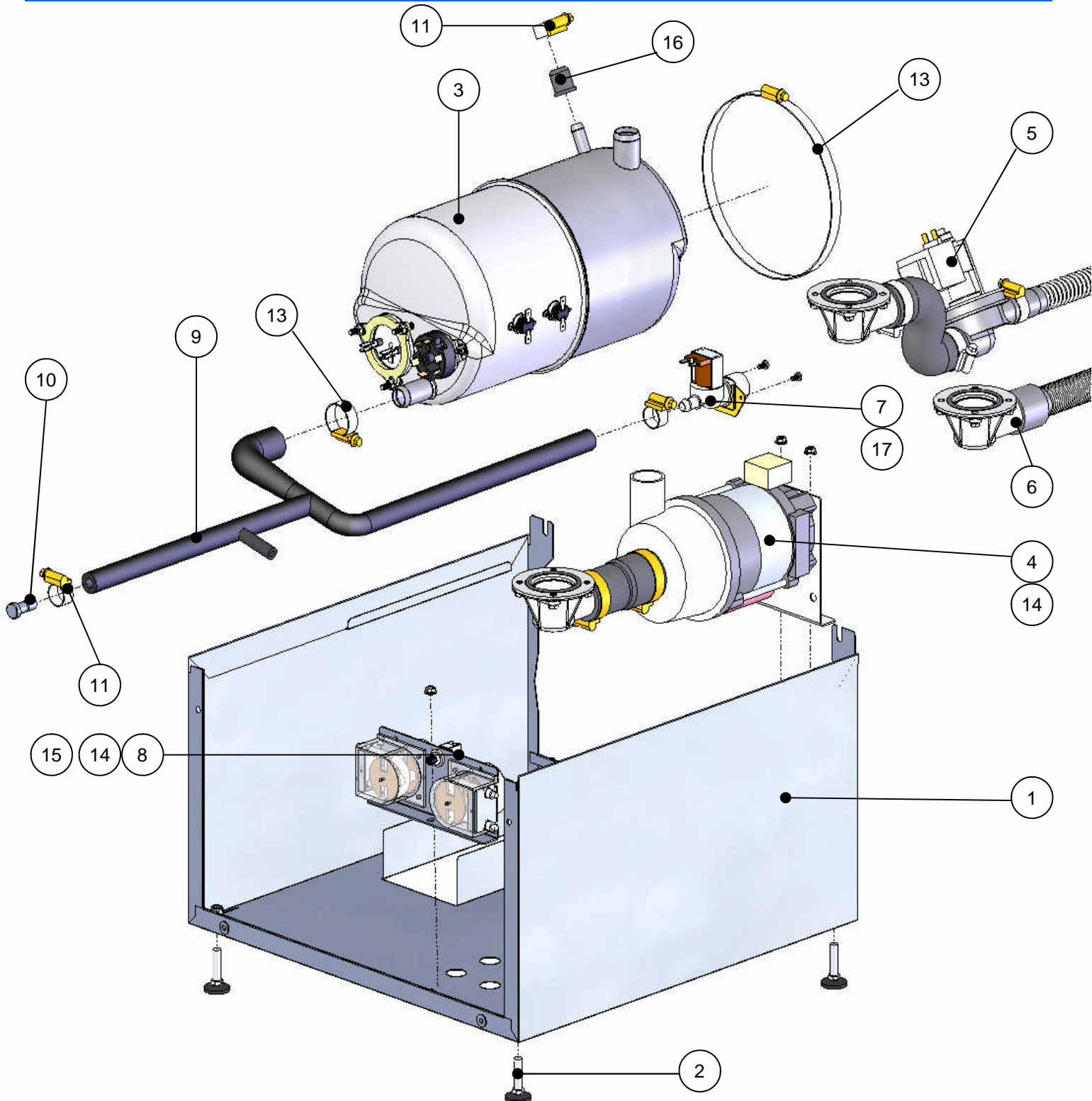


## Rinse arm assembly - Bottom

Item	Description	Part no.	Qty	Note
1	Rinse arm - 400mm	62003575	1	
2	Rinse arm screw	60004124	1	
3	Washer	60003487	1	
4	Locking ring	60003023	1	

## Base assembly (Eco & Hydro)

Machine type	Assembly description	Assembly part no.
Eco1 & Eco 2	Base assy. - 6.5 litre x 2kW x 70°C - Pressurised tank - Gravity drain	012.0001
Hydro 500	Base assy. - 6.5 litre x 2kW x 80°C - Pressurised tank - Gravity drain	012.0002

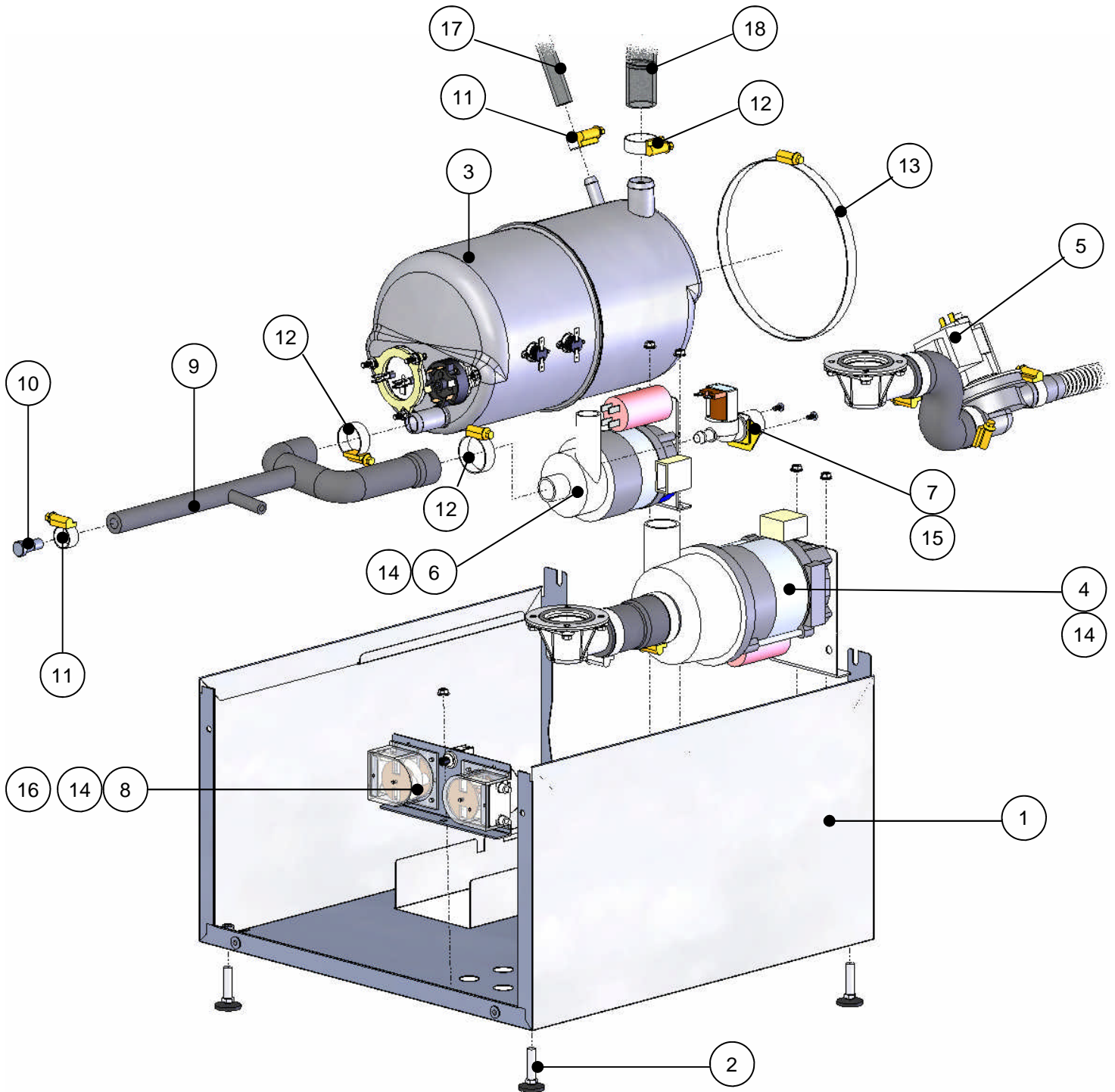


## Base assembly (Eco & Hydro)

Item	Description	Part no.	Qty	Note
1	Machine base - 400mm	120.0001	1	
2	M8 x 40 Adjuster foot	310.0001	4	
3	Rinse boiler - 6.5 litre x 2 kW x 70°C	013.0006	1	Only for Eco 1 & Eco 2
	Rinse boiler - 6.5 litre x 2 kW x 80°C	013.0002		Only for Hydro 500
4	Wash pump assembly - 0.22 kW	052.2201	1	
5	Drain pump kit	052.2402	1	Only for drain pump machines
6	Gravity drain kit 400mm	052.2401	1	Only for gravity drain machines
7	Inlet solenoid valve	7.12.12/1	1	
8	Chemical pumps	526.0001	1	
9	Hose - Inlet valve - Rinse boiler	401.0001	1	
10	Drain plug - Rinse tank	100.0003	1	
11	Jubilee clip - Ø12mm to Ø22mm	JCLIP-012-022	3	
12	Jubilee clip - Ø20mm to Ø32mm	JCLIP-020-032	1	
13	Jubilee clip - Ø160mm to Ø180mm	JCLIP-160-180	1	
14	M5 nut - Flange	FNUT-05	5	
15	PVC hose - Ø3mm	RT2	4	Quantity in metres (not shown)
16	End cap	410.0002	1	
17	M4 x 10mm -Pan head screw	SC006	2	

## Base assembly (Duo)

Machine type	Assembly description	Assembly part no.
Duo 2	Base assembly	012.0008
Duo 500	Base assembly	012.0009



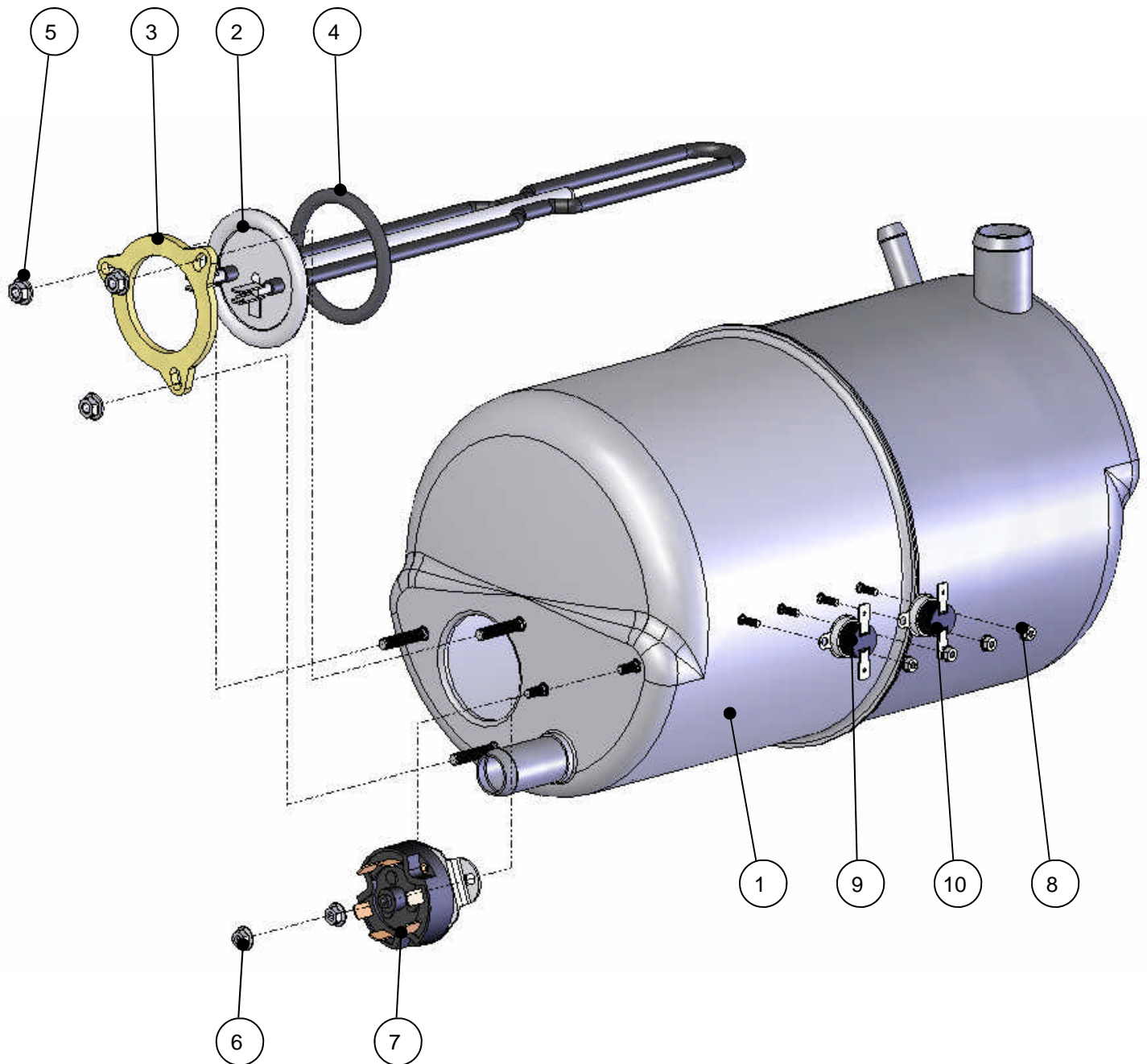
## Base assembly (Duo)

Item	Description	Part no.	Qty	Note
1	Machine base - 400mm	120.0001	1	
2	M8 x 40 Adjuster foot	310.0001	4	
3	Rinse boiler - 6.5 litre x 2 kW x 70°C	013.0001	1	Only for Duo2
	Rinse boiler - 6.5 litre x 2 kW x 80°C	013.0002		Only for Duo 500
4	Wash pump assembly - 0.74 kW	052.2202	1	
5	Drain pump kit	052.2402	1	
6	Rinse pump assembly - 0.27 kW	052.2001	1	
7	Inlet solenoid valve	7.12.12/1	1	
8	Chemical pumps	526.0001	1	
9	Hose - Rinse boiler - Rinse pump	403.0001	1	
10	Drain plug - Rinse tank	100.0003	1	
11	Jubilee clip - Ø12mm to Ø22mm	JCLIP-012-022	3	
12	Jubilee clip - Ø20mm to Ø32mm	JCLIP-020-032	3	
13	Jubilee clip - Ø160mm to Ø180mm	JCLIP-160-180	1	
14	M5 nut - Flange	FNUT-05	4	
15	M3 x 10mm long - Pan head screw	SC006	2	
16	PVC hose - Ø3mm	RT2	4	Quantity in metres (not shown)
17	Silicon Hose - Ø9.5mm	H-09S	0.4	Quantity in metres
18	Silicon Hose - Ø23mm	H-23S	0.24	Quantity in metres



## Rinse boiler

Machine type	Assembly description	Assembly part no.
Eco 1, Eco 2 & Duo 2	Rinse boiler assembly - 6.5litres x 70°C x 2,000 watts	013.0001
Hydro 500 & Duo 500	Rinse boiler assembly - 6.5litres x 80°C x 2,000 watts	013.0002

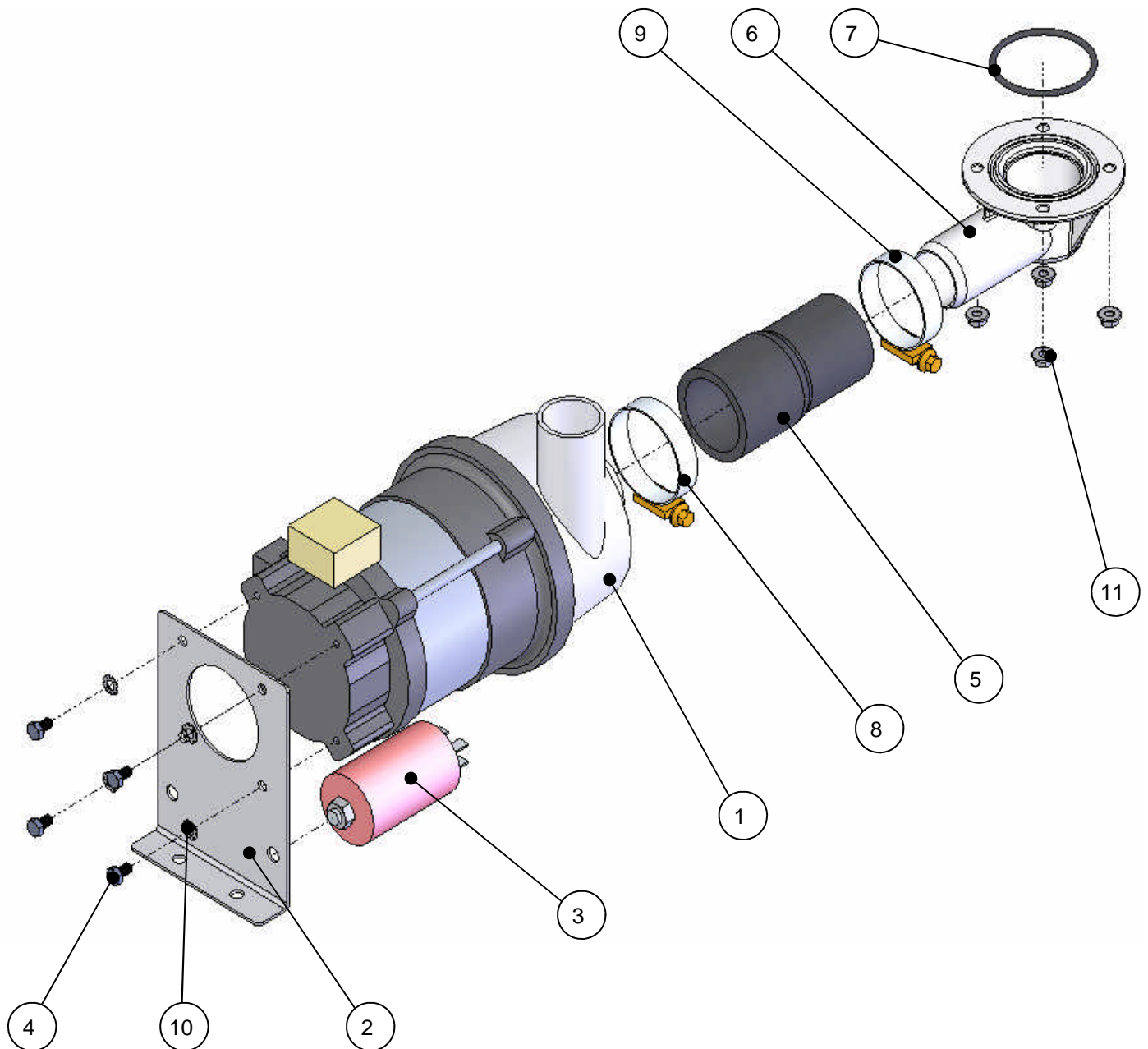


## Rinse boiler

Item	Description	Part no.	Qty	Note
1	Rinse boiler - 6.5 litres	130.0002	1	
2	Rinse element - 1 x 2,000 watt	550.0002	1	Only to be fitted on 13 amp units
	Rinse element - 2 x 1,300 watt	550.0003		Only to be fitted on 15 amp units
	Rinse element - 1 x 2,000 watt (UL)	550.0006		Only to be fitted on 16 amp units (USA)
3	Bracket - Rinse element	600010934	1	
4	O-ring seal - Ø6mm x Ø47mm	300.6047	1	
5	M5 nut - Flange	FNUT-05	3	
6	M4 nut - Flange	FNUT - 04	2	
7	Manual reset thermal trip switch - 3 pole - 105°C (normally closed)	540.0002	1	
8	M3 nut - Flange	FNUT-03	4	
9	Auto reset thermal trip switch - 1 pole - 55°C (normally open)	541.0002	1	
10	Auto reset thermal trip switch - 1 pole - 70°C (normally closed)	541.0010	1	Only to be fitted on glasswashers
	Auto reset thermal trip switch - 1 pole - 80°C (normally closed)	541.0011	1	Only to be fitted on dishwashers

## Wash pump assembly - 0.22kW

Machine type	Assembly description	Assembly part no.
All models	Wash pump assembly - 0.22kW (50Hz)	052.2201

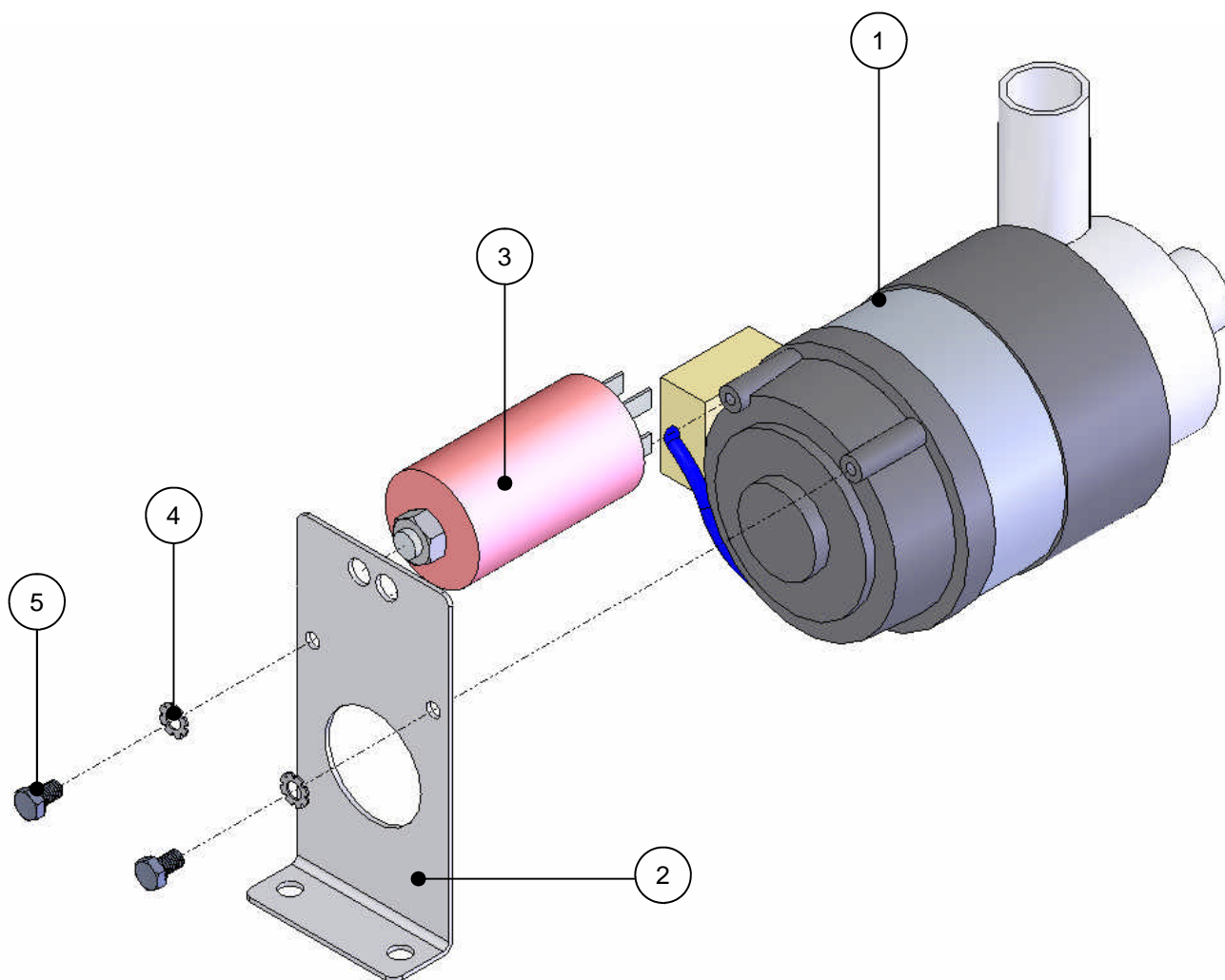


## Wash pump assembly - 0.22kW

Item	Description	Part no.	Qty	Note
1	Wash pump - 0.22 kW (50Hz)	522.0001	1	Only fitted to 50Hz units
	Wash pump - 0.22 kW (60Hz)	8.6.0/BX1		Only fitted to 60Hz units (USA)
2	Bracket - Pump 0.22 kW	160.0001	1	
3	Capacitor - 5 $\mu$ F	529.0001	1	
4	M5 x 8mm long - Hex screw	SC011	4	
5	Hose - Wash pump inlet	405.0001	1	
6	Wash & waste outlet	240.0002	1	
7	O-ring seal - $\varnothing$ 3mm x $\varnothing$ 47mm	300.3047	1	
8	Jubilee clip - $\varnothing$ 35mm to $\varnothing$ 50mm	JCLIP-035-050	1	
9	Jubilee clip - $\varnothing$ 30mm to $\varnothing$ 45mm	JCLIP-030-045	1	
10	M5 star washer	W014	4	
11	M5 nut - Flange	FNUT-05	4	

## Rinse pump assembly - 0.12kW

Machine type	Assembly description	Assembly part no.
Duo 2 & Duo 500	Rinse pump assembly - 0.12kW (50Hz)	052.2001

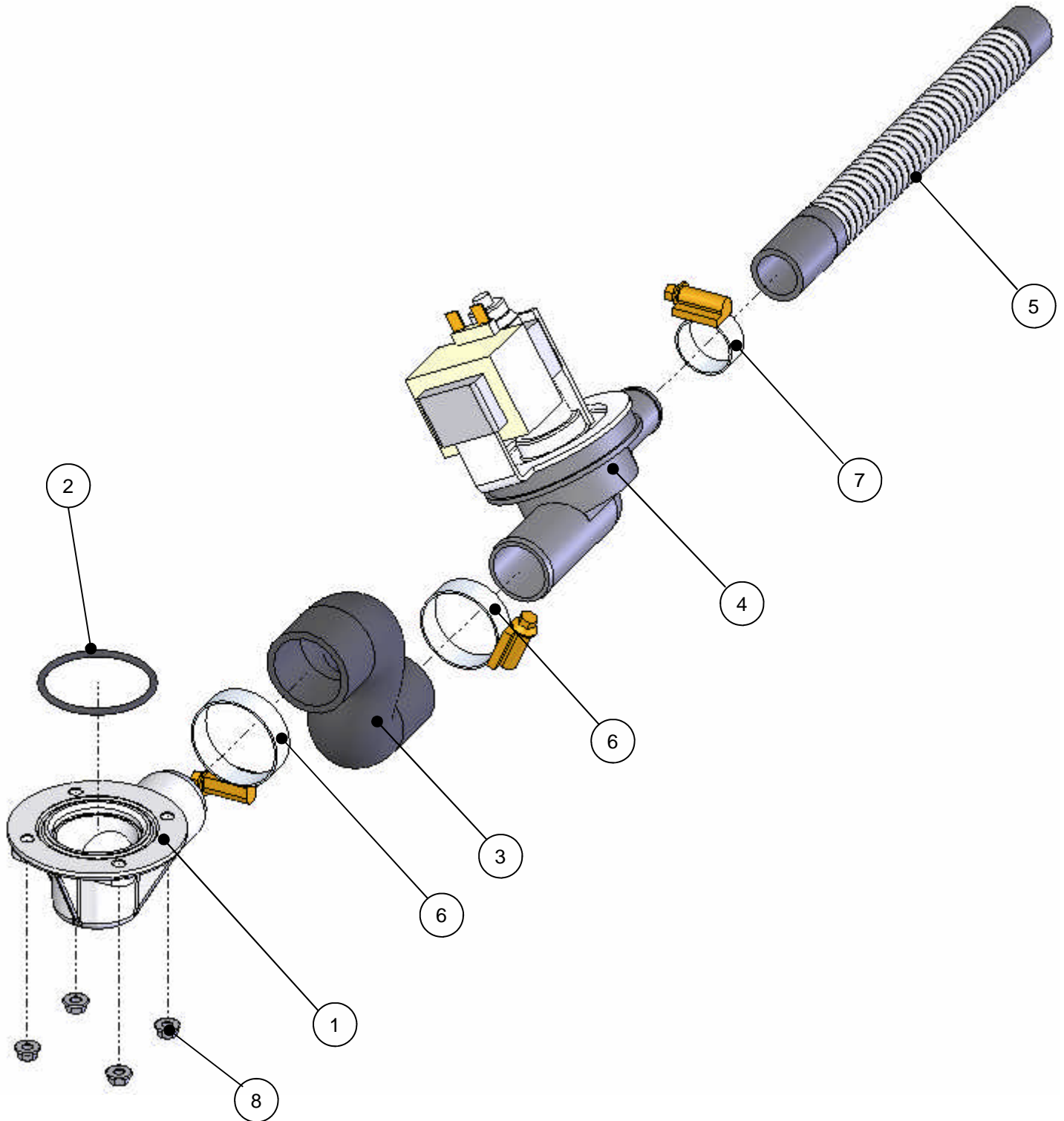


### Rinse pump assembly - 0.12kW

Item	Description	Part no.	Qty	Note
1	Rinse pump - 0.12 kW (50Hz)	520.0001	1	Only fitted to 50Hz units
	Rinse pump - 0.12 kW (60Hz)	8.7.0/BX1		Only fitted to 60Hz units (USA)
2	Bracket - Pump 0.12 kW	160.0002	1	
3	Capacitor - 4 $\mu$ F	529.0002	1	
4	M4 Star washer	7.9.13/3	2	
5	M4 x 8mm long - Hex screw	SC006	2	

## Drain pump kit

Machine type	Assembly description	Assembly part no.
All models	Drain pump kit	052.2402



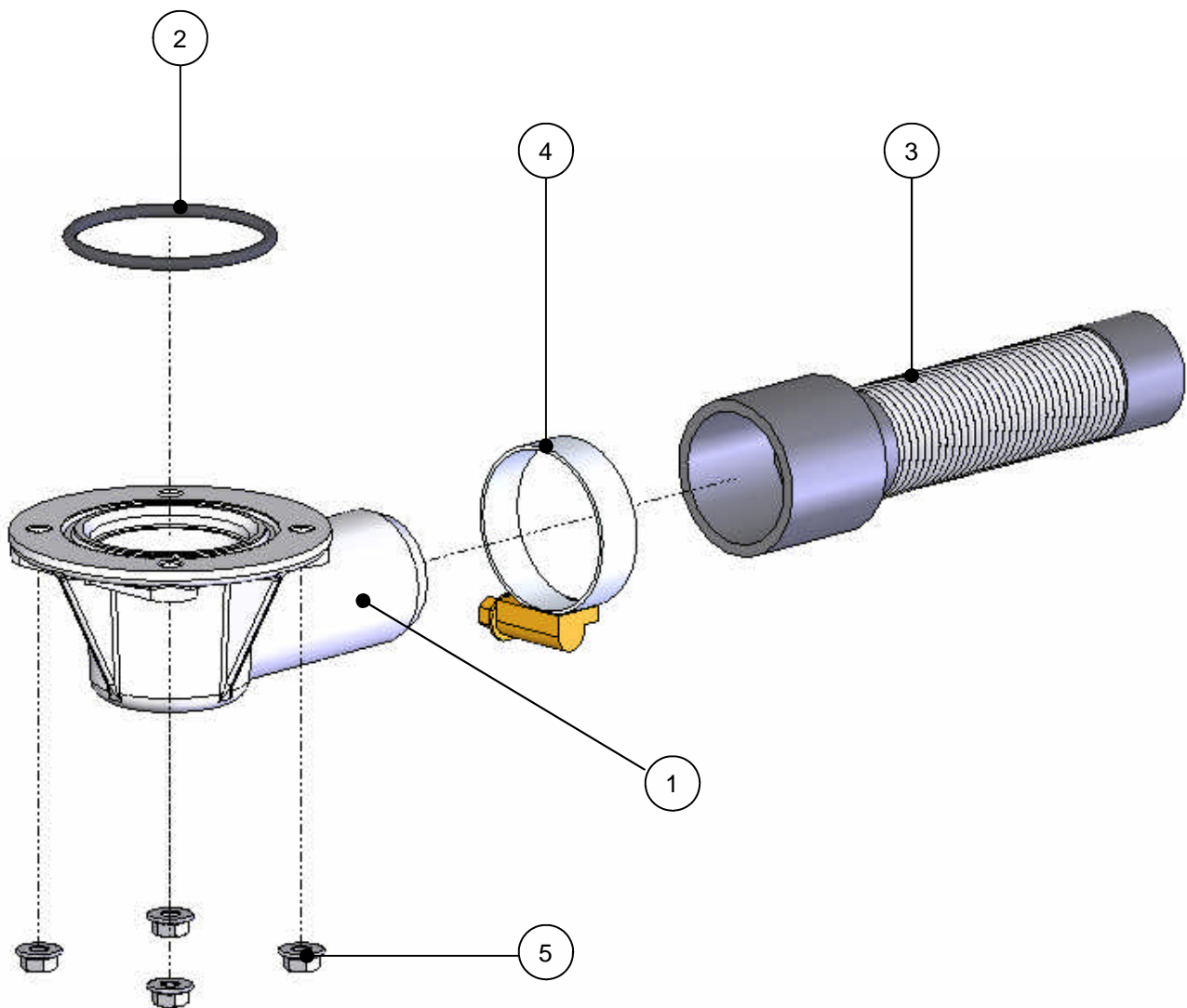


## Drain pump kit

Item	Description	Part no.	Qty	Note
1	Wash & waste outlet	240.0002	1	
2	O-ring seal - Ø3mm x Ø47mm	300.3047	1	
3	Hose - Drain pump inlet	408.0001	1	
4	Drain pump	DP2	1	
5	Hose - Drain pump outlet	408.0003	1	
6	Jubilee clip - Ø30mm to Ø45mm	JCLIP-030-045	2	
7	Jubilee clip -Ø20mm to Ø32mm	JCLIP-020-032	1	
8	M5 nut - Flange	FNUT-05	4	

## Gravity drain kit

Machine type	Assembly description	Assembly part no.
Gravity drain models only	Gravity drain kit	052.2401



## Gravity drain models only

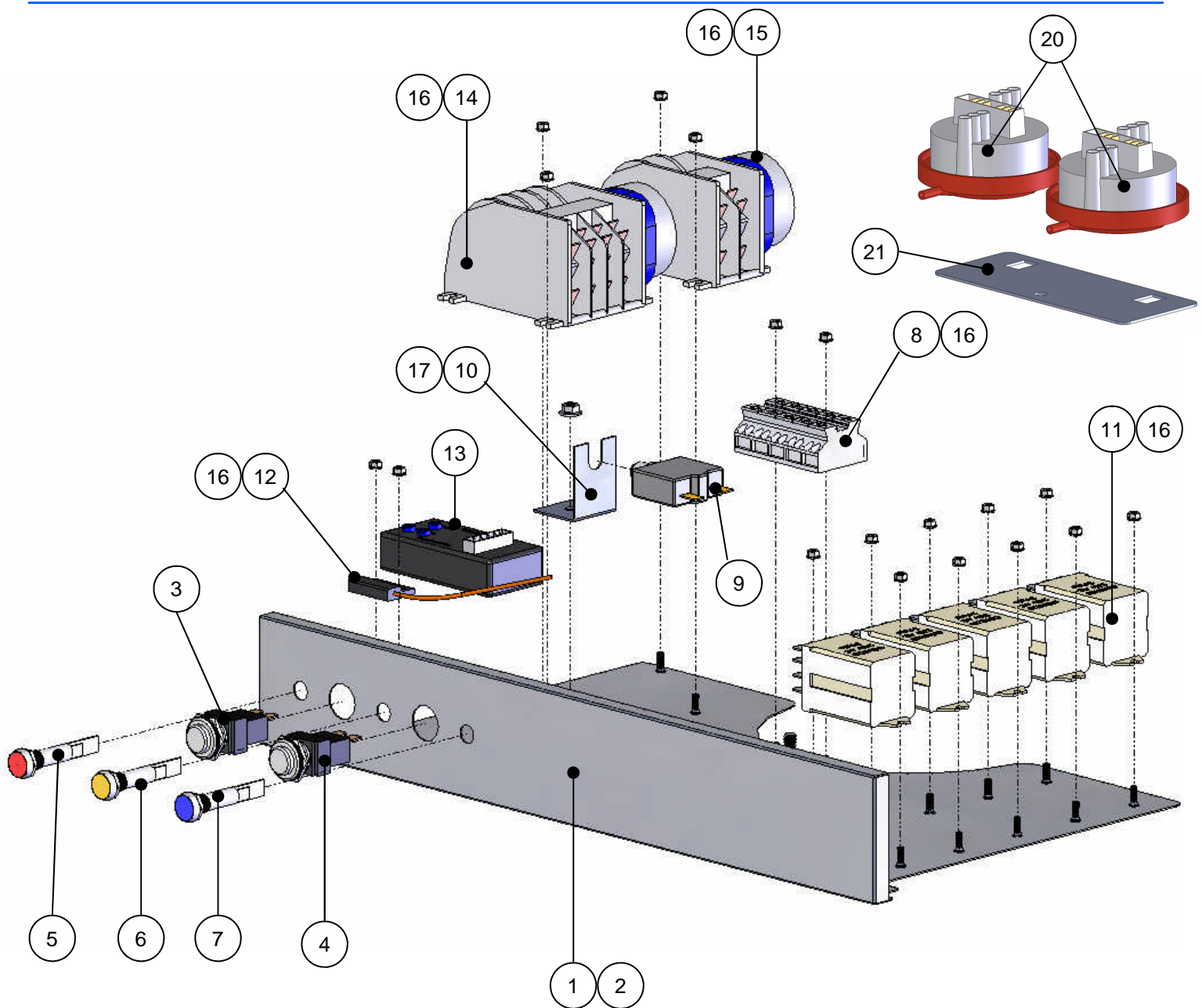


### Gravity drain kit

Item	Description	Part no.	Qty	Note
1	Wash & waste outlet	240.0002	1	
2	O-ring seal - Ø3mm x Ø47mm	300.3047	1	
3	Hose - Gravity drain	DP-HOSE	1	
4	Jubilee clip - Ø30mm to Ø45mm	JCLIP-030-045	3	
5	M5 nut - Flange	FNUT-05	4	

## Component tray

Machine type	Assembly description	Assembly part no.
Eco 1	Component tray assembly	014.0002
Eco 2	Component tray assembly	014.0001
Hydro 500	Component tray assembly	014.0013
Duo 2	Component tray assembly	014.0015
Duo 500	Component tray assembly	014.0004

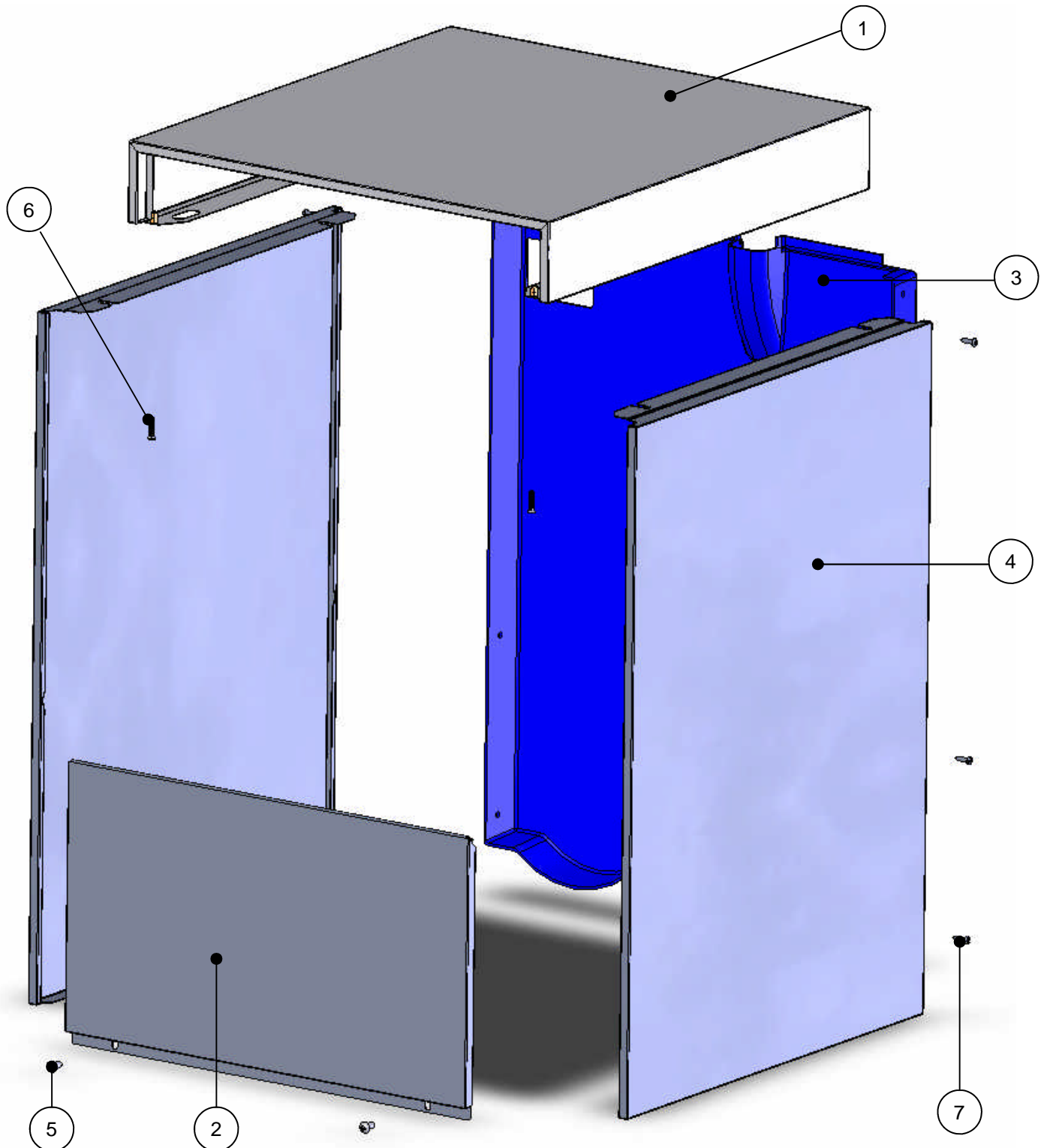


## Component tray

Item	Description	Part no.	Qty	Note
1	Component tray - Single skin	140.0001	1	Only for Eco1, Eco2 & Hydro 500
	Component tray - Double skin	140.0002		Only for Duo2 & Duo500
2	Fascia label - Eco 1	FASC E106	1	Only for Eco 1 (gravity drain)
	Fascia label - Eco 2	FASC E206		Only for Eco 2 (gravity drain)
	Fascia label - Hydro 500	FASC H506M		Only for Hydro 500 (gravity drain)
	Fascia label - Duo 2	FASC D206		Only for Duo 2 (pumped drain)
	Fascia label - Duo 500	FASC D506		Only for Duo 500 (pumped drain)
	Fascia label - Eco 2 (Gilde)	FASC E206P(GILDE)		Only for Eco 2 (Gilde)
	Fascia label - Hydro 500 (Gilde)	FASC H506(GILDE)		Only for Hydro 500 (Gilde)
3	On / Off switch	500.0001	1	
4	Cycle switch	501.0001	1	
5	Indicator lamp - Red	505.0001	1	
6	Indicator lamp - Amber	505.0003	1	
7	Indicator lamp - Blue	505.0004	1	
8	Terminal block	7.12.70	1	
9	Circuit breaker - 4 amp	TCB-1	1	
10	Bracket - Circuit breaker	164.0001	1	
11	Contactora - 3 pole changeover	CONT/30	5	
12	Door switch	570.0001	1	
13	Chemical timer	CLM 312	1	
14	Cycle timer - 2 minute	560.4120	1	Only for Eco 1, Eco 2 & Duo 2
	Cycle timer - 3 minute	560.4180		Only for Hydro 500 & Duo 500
15	Transfer timer—30 seconds	560.2030	1	Only for Duo 2 & Duo 500
16	M3 nut - Flange	FNUT-03	18	
17	M5 nut - Flange	FNUT-05	2	
18	Wiring harness (not shown)	LM-P2-STD	1	Only for Eco1, Eco2 & Hydro 500
	Wiring harness (not shown)	LM-P2-ABT		Only for Duo2 & Duo 500
19	Mains cable - 13 amps + UK plug	7.12.10/PA	1	
20	Air pressure switch	530.0001	1	2 required on Duo2 & Duo500
21	Bracket - Air pressure Switch	102.0003	1	

## Panel kit

Machine type	Assembly description	Assembly part no.
Eco1, Eco2 & Hydro 500	Panel kit - 400mm Single skin	015.0001
Duo 2 & Duo 500	Panel kit - 400mm Double skin	015.0002



## Panel kit

Item	Description	Part no.	Qty	Note
1	Panel - Top single skin	154.0001	1	Only for Eco1, Eco 2 & Hydro 500
	Panel - Top double skin	154.0002		Only for Duo2 & Duo500
2	Panel - Front lower	153.0001	1	
3	Panel - Rear	250.0001	1	
4	Side panels	151.0001	2	Only for Duo2 & Duo500
5	M6 x 12mm long—Button head screw	SC1001	2	
6	M4 x 20mm long - Counter sunk screw		2	
7	No. 6 x 3/8" Pozi Pan Head Screw	7.2.40/1	6	
8	Bracket—Rear panel	163.0001	2	
9	Bracket - Cabinet to base	163.0002	2	Not shown
10	M5 nut - Flange	FNUT-05	6	
10	M4 - Self tapping clip	7.2.4/1	6	Not shown (used to hold back panel to base and cabinet)
11	Label - Stand pipe (Drain pump)		1	Only for drain pump m/c's (not shown)
	Label - Stand pipe (Gravity)			Only for gravity drain m/c's (not shown)



## Packing kit

Machine type	Assembly description	Assembly part no.
Eco 1	Packing kit - 350mm <sup>2</sup> glasswasher	002.0000
Eco 2 & Duo 2	Packing kit - 400mm <sup>2</sup> glasswasher	002.0001
Hydro 500 & Duo500	Packing kit - 400mm <sup>2</sup> dishwasher	002.0002

Item	Description	Part no.	Qty	Note
1	Bottle weight	7.7.21/4	2	
2	Grey rigid tube	7.7.21/4A	2	
3	Water supply hose	7.8.14	1	
	Water supply hose (WRAS approved)	7.8.14X		
4	Basket (glass) - 350mm <sup>2</sup>	400SGB-P	2	Only for Eco1
	Basket (glass) - 400mm <sup>2</sup>	500GBP	2	Only for Eco 2 & Duo 2
			1	Only for Hydro 500 & Duo 500
5	Basket (dish) - 400mm <sup>2</sup>	500DRP	1	Only for Hydro 500 & Duo 500
6	Basket (cutlery) - 400mm <sup>2</sup>	CB	1	Only for Hydro 500 & Duo 500
7	Manual - Operators & installation	902.0001	1	English version
8	Your essential pre-install check list	INS-01	1	English version
9	Good practice guide	INS-04	1	English version
10	Your final installation check list	INS-05	1	English version





ClassEq is a trading name of  
Classic Glass & Dishwashing Systems Ltd.

**Classic Glass & Dishwashing Systems Ltd**

Winterhalter House  
Roebuck Way  
Knowlhill  
Milton Keynes  
MK5 8WH



Spares department

01908 359020

Service department

01908 359059



01908 359014

01908 359075



[spares@classeq.co.uk](mailto:spares@classeq.co.uk)

[service@classeq.co.uk](mailto:service@classeq.co.uk)